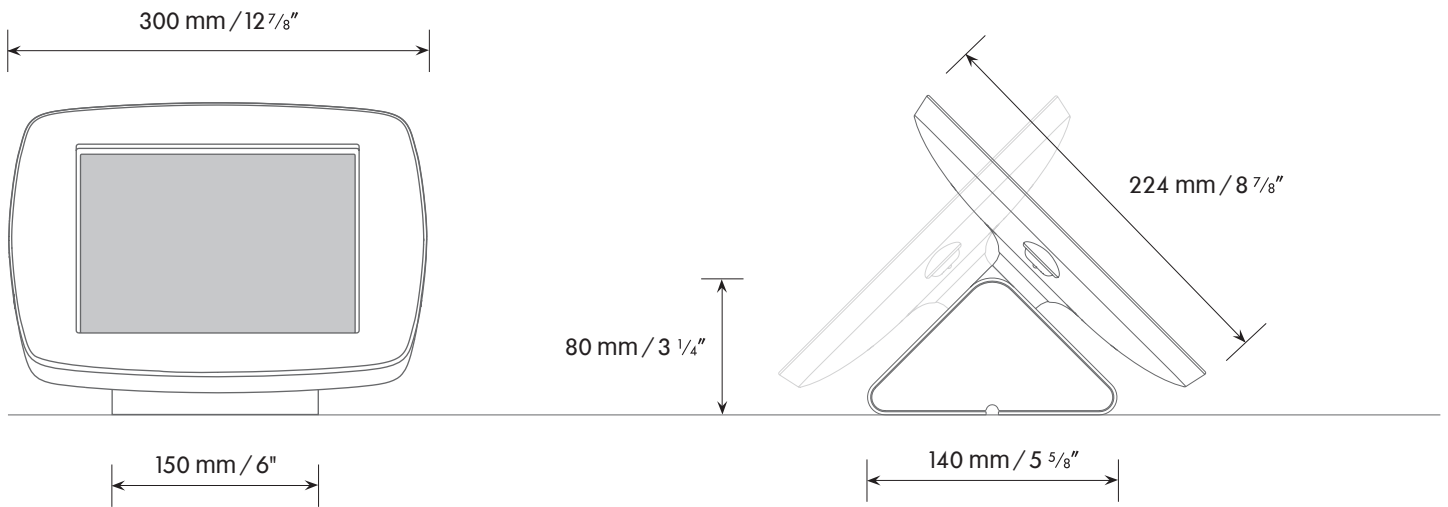
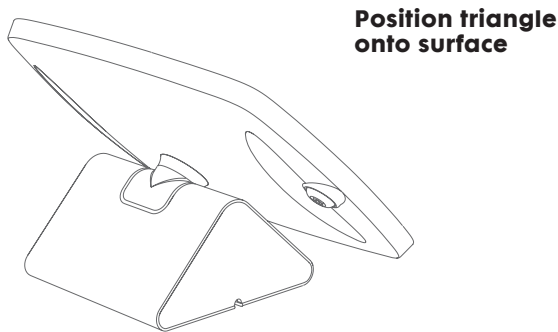


Data sheet : Bouncepad Flip

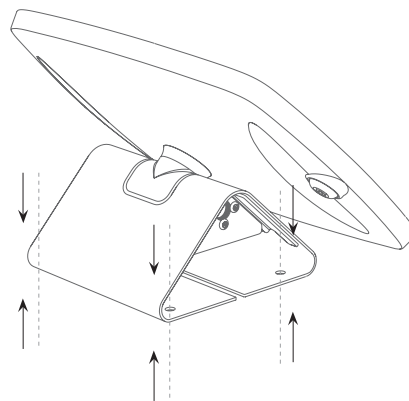
The Bouncepad Flip sits elegantly and securely on your counter top. Its weighted triangular base and smooth flipping motion make sharing the screen between sales person and customer a joyful operation.



Mounting Options



Position triangle onto surface



Secure triangle onto surface

You can use M5 holes to mount onto a surface using screws or bolts suitable to your material.

Materials

Tablet case	PC/ABS
Faceplate	Stainless Steel (powdercoated)
Mounting triangle	Steel
Internal plate	Aluminium

Configuration Options

Colour	White / Black / Custom
Feature Access	Closed Home Button / Covered Front Camera Closed Home Button / Exposed Front Camera Open Home Button / Covered Front Camera Open Home Button / Exposed Front Camera
Tablet models	iPad 1 / iPad 2 / iPad 3 / iPad with Retina / iPad Air
Cable	Not Provided